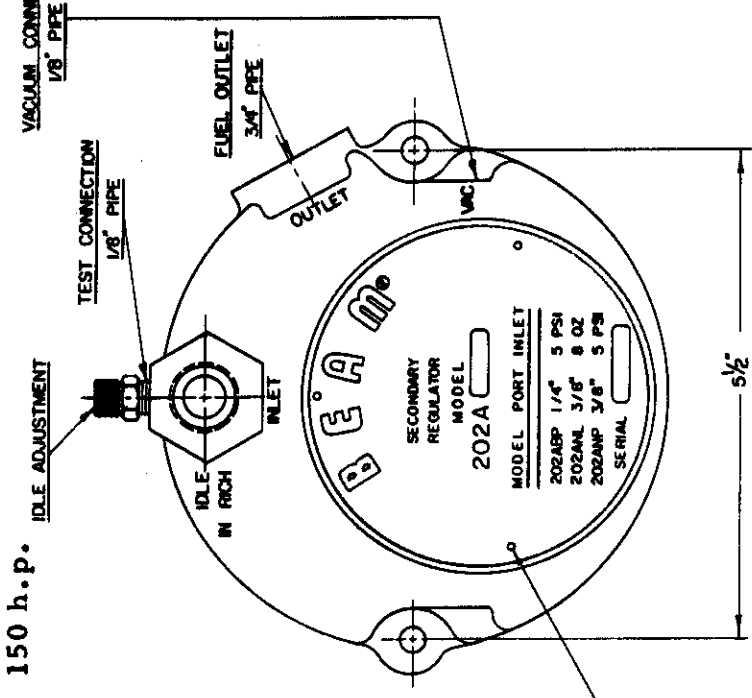
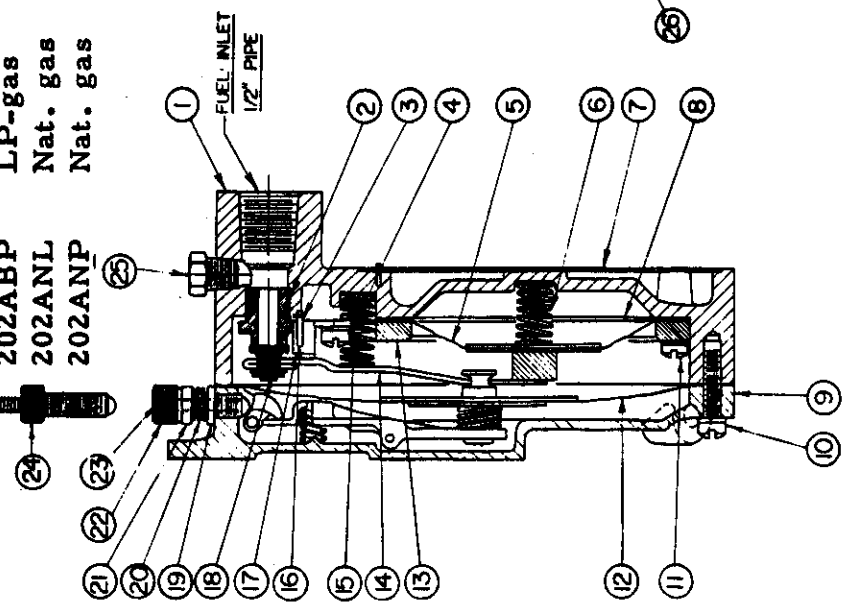


REV.	REVISION	DATE
A	REPLACEMENT DRAWING	5-19-75 BS

Model	Fuel	Maximum
202ABP	LP-gas	150 h.p.
202ANL	Nat. gas	45 h.p.
202ANP	Nat. gas	150 h.p.



ABOVE REPAIR KITS FIT THE FOLLOWING REGULATORS: 102B, 102N, 202BP, 202NL, 202NP

NS 1	BOX 4 1/2 X 5 1/2 X 7	
NS 1	BH-370C FORM	
NS 1	3/50 X 2 PLUG	
NS 1	50-33 GASKET	
NS 1	462804-F SCREW	
NS 1	PS-25-5 SLEEVE -- IDLE LOCK	
NS 1	H-393 FORM -- INSTRUCTIONS	
NS 1	PS-20A SCREW -- IDLE ADJUSTMENT	
NS 1	400-21 SPRING -- IDLE ADJUSTMENT	
NS 1	3P-107 SCREW DRIVE	
25	3/32 X 2 PLUG 1/4 PIPE, HEX HEAD	
24	PS-25 SCREW -- IDLE ADJ. W/PRIMER	
23	PS-25-4 PIN -- CONCEALED PRIMER	
22	PS-25-1 SCREW -- IDLE ADJUSTMENT	
21	120-41 SLEEVE -- SPACER	
20	25-120 SPRING -- IDLE ADJUSTMENT	
19	120-40 CUP -- SPRING RETAINER	
18	3BR VALVE -- NEOPRENE FACE 3/4	
17	120-18 VALVE -- NEOPRENE FACE 3/8	
	BRACKET -- SEC. LEVER	
	W/ PART NO. C-3515	

16	400-19 PIN -- SECONDARY PIVOT	
15	202-27 SPRING -- SEC. LEVER (GREEN)	
14	120-27 SPRING -- SEC. LEVER	
14	120-24B LEVER -- SECONDARY	
13	120-16 RING -- VAC. LOCK COVER	
12	120-22 DIAPHRAGM -- SECONDARY	
11	6 103208-FS SCREW -- MACHINE	6
10	5 103212-FS SCREW -- MACHINE	5
9	120-42 COVER -- W/CONCEALED PRIMER	
	120-43 COVER -- W/MANUAL PRIMER	
	120-44 COVER -- MANUAL PRIMER NO IDLE	
	120-45 COVER -- CONCEALED PR. NO IDLE	
8	26-151 GASKET -- DIAPHRAGM	
7	1BT-25 PLATE -- NAME	
6	120-14 SPRING -- VACUUM LOCK (BLACK)	1
5	120-15A DIAPHRAGM -- VACUUM LOCK	1
4	2 103205-FS SCREW -- MACHINE	2
3	120-26 KEEPER -- PIVOT PIN	
2	102-23 ORIFICE -- REGULATOR 3/8	
1	102-22 ORIFICE -- REGULATOR 1/4	
	1202-2 BODY -- REGULATOR	



Model	Description	Weight	UL Listed
202ABP	3/8" ORIFICE 5 PSI NAT. GAS	202ANP	270L
202ABP-A	3/8" ORIFICE 8 OZ. MAX. LP-GAS OR NAT. GAS	202ANP-A	
202ABP-B	3/8" ORIFICE 5 PSI NAT. GAS	202ANP-B	
202ABP-C	3/8" ORIFICE 5 PSI NAT. GAS	202ANP-C	
202ABP-D	3/8" ORIFICE 5 PSI NAT. GAS	202ANP-D	
202ABP-E	3/8" ORIFICE 5 PSI NAT. GAS	202ANP-E	

WEIGHT: 28 OZ.

BEAM PRODUCTS MFG. CO.  
 1000 HANCOCK ST. LEBANON, OHIO 45031  
 (513) 533-1111